

High Clearance U-Bolt Kit

Overview

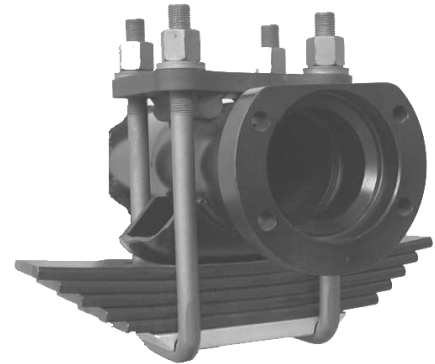
The Dynatrac High Clearance U-Bolt kit provides a simple, yet effective solution for getting customers' leaf spring u-bolts up above the axle tube and out of harms way.

Benefits

- Greatly increased ground clearance
- Creates a smooth bottom skid plate surface
- No threads to damage or nuts to snag on rocks or roots
- Easy Installation

Features

- Bolt-on installation (some vehicles may require minor welding of included shock mounts)
- High quality steel 9/16" u-bolts, nuts and washers
- Beveled lower skid plate locks u-bolts securely in position
- Improved departure angles



Applications*

Model	Year/ Application	2.0" Spring Width	2.5" Spring Width
Dana 30 Front Axle	'74 and Earlier CJ	DA30-2X5796-A	Call
	'75-'86 CJ	DA30-2X5796-A	Call
	'87-'96 YJ with Disconnect	Call	DA30-2X5796-C
	'87-'96 YJ without Disconnect	Call	DA30-2X5796-B
Dana 44 Front Axle	Wagoneer/ Cherokee Housing	DA44-2X5796-A	DA44-2X5796-B
	Scout II Housing	DA44-2X5796-C	DA44-2X5796-D
	Ford High Pinion Housing 3" Tube	DA44-2X5796-E	DA44-2X5796-F

Model	Part Number	Spring Width (Rear)
All Rear Ends (2.5"-3.25" Tubes)	DA60-2X5796-A	2.0"
	DA60-2X5796-B	2.5"

**Note, due to the customized nature of non-stock Dana 44 Front Axles, Dynatrac cannot guarantee a perfect fit on non-Dynatrac housings. Any kits that do not fit may be returned if not damaged or modified.*

Warranty

Dynatrac offers a written, 12-month warranty on all parts and components.

Description	Price
Hi-Clearance U-Bolt Kit -ALL	\$139.00